



Two screening technologies to meet every need



Fine screen in channel
stairs screen



Fine screen
in stainless steel tank

AKIS offers solutions with a wide range of machines for the treatment of water and waste.

Fine screen with step type stairs

The fine screen type S-screen separates solids from wastewater. The screening and sieving is completely automated and self-cleaning without water washing. AKIS fine screens allow screening from 0.5 to 6mm depending on model. They consist of stationary and moving steps. The circular movement of the steps conveys the captured wastes upward the screen one step at a time to the outlet. This system is designed for highly efficient filtration.



Application areas are very diverse both in sewage wastewater, drinking water, and in many types of industries.

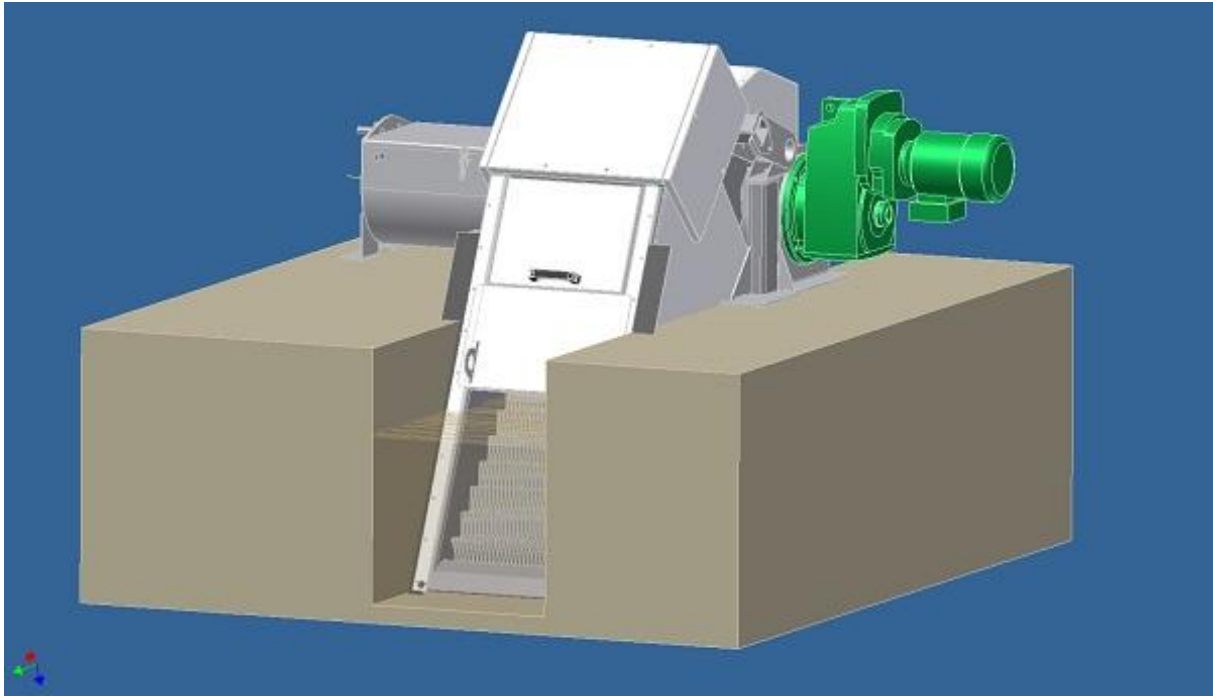
The AKIS S-screen has a high separation capacity and can filter high water flow. This screen type can easily be installed as well in big as in small stations.



The AKIS fine screen is innovative, without chain drive and the choice of high duty drive system ensures its ability to handle very large screenings volumes for any flow rate. The S-Screen is equipped with lids and inspection-doors to allow easy access for inspection and good protection for the safety of responders. Laser cut blades in form of specific steps ensure the best possible separation and the best transport of waste screenings towards the outlet located in the upper part of the machine.



Appropriate support legs make it possible to rotate the machine to a horizontal position for easy access and maintenance. The first low friction step at the bottom of the machine is designed to maintain a constant distance between the steps and increases protection against the sand.



Our step screens are suitable for small flow as well for very high flows with high screening loads. Discharge height up to 5m. Our experience and know-how of screening installations will make us a perfect partner to provide turnkey installations, including eventual conveying and dewatering/compacting of the screenings. See our shaft less screw conveyors and compactors for screenings



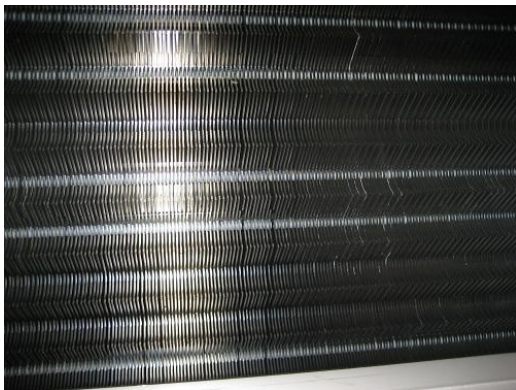
All our fine screens have a direct drive without chain.



The screens are equipped with a box for electrical connection.

Fine Screen installed in a tank

The tank installation allows automated screening from 0.5 to 6mm depending on model. The completely integrated and covered S-screen is easily installed and no concrete channel is needed. The effluent will be pumped directly to the stainless steel tank and connected with a flange. The screenings can be compacted by a compactor, removed by a screw conveyor or deposited directly into a trash can.



We remain at your disposal for any kind of sieving and screening project, from the smallest to the largest flow. We can offer help with engineering, propose several screening technologies and be your partner from the study until the installation and commissioning.